



sartorius

## PMA.Evolution – The New PMA Standard Economic. Efficient. Effective.



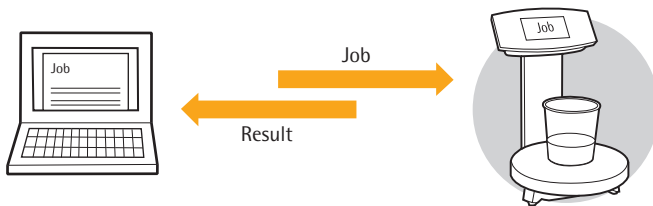
turning science **into solutions**

# Efficient and Easy Paint Mixing

Increase your paint mixing efficiency while reducing your total cost of ownership: Benefit from the precise, reliable and fast results of the new PMA.Evolution. Its superior readability – both from an angle and from a distance – make it a practical and time-saving tool to work with. With a variety of accessories you can enhance the functionality and usability of this high-quality Made-in-Germany product.

## Internal Mixing Module

- Integrated mixing module for PC-independent formulation processing



## Integrated Applications

- Recalculation functionality in case of over-pouring a component
- Factor calculation to adapt a recipe to any desired can size
- The scale can be calibrated externally with 1 kg, 2 kg or 5 kg.
- The resolution of 0.1 g can be manually switched to 0.05 g for a range of up to 999.95 g. The fine range can be used up to the maximum capacity through taring.

## Clean Work Environment



- Plane, solvent-resistant glass display and stainless steel weighing pan for easy cleaning



- Spillage-protected interface at the back of the head



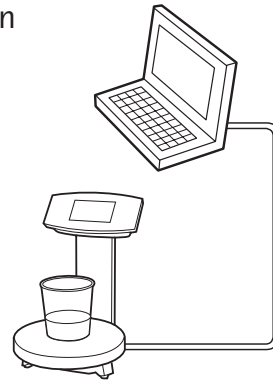
- In-use covers for display, column and weighing pan to prevent stains





## Amazingly Fast Installation

- Unique one-cable solution for power and data via USB cable
- USB driver is Microsoft® certified for "plug & play" installation



## New High-contrast Display



- Wide viewing angle and perfect readability, even from a distance



- Sensor touch with visual feedback



- Bargraph with zoom functionality as dosing assistance | capacity indicator

Enhanced Safety Mechanisms ▷

Compliance with International Regulations ▷

Exclusive PMA.Management Software ▷

# Extended Features

## Prevention of Unauthorized Usage



- Instant lock function: activated manually by pressing the lock symbol
- Communication lock function: automatic display lock if there is no ongoing communication between scale and PC



- Theft protection with fixation point on the back



## Compliance with International Regulations

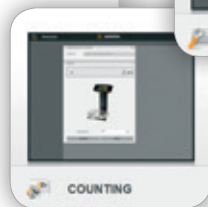
- Accordance with legal regulations
- Certified as explosion proof



## Exclusive PMA.Management Software



- Scale settings easily adjustable with intuitive menu
- Intro text for individualized scale messages (e.g. branding)
- Basic counting application, e.g. for inventory control





sartorius

F

·0|T·

↔

Max 1500 g

d = 0.1 g

0.0 g

⏻

C

^

v

OK

Ex

PMA.Evolution

# Functional Accessories

Keep your PMA.Evolution working like new for the longest time: with covers to protect your scale from paint stains and weights to recalibrate it. See what other useful accessories might be convenient for you.

## In-Use covers

In-use cover for display (set of 10)	YDC03PMA10
In-use cover for column (set of 10)	YDC03PMA-CO10
In-use cover for weighing pan (set of 10)	YDC03PMA-WP10



## Cables

Link cable to converter, length 10 m (32.8 ft.)	YCC01-0052M10
Link cable to converter, length 20 m (65.6 ft.)	YCC01-0052M20
Link cable to converter, length 30 m (98.4 ft.)	YCC01-0052M30
Grounding cable, 2 m (6.5 ft.)	YCC01-X046M2
USB cable, length 5 m (16.4 ft.)	YCC01-0040M5



## Power supply

USB power plug 5 VDC   900 mA	YPS06-USB
AC-adapter set (US, EU, UK)	YAK01
AC- adapter set (AU, ZA, BR)	YAK02
AC- adapter set (IN, KR, CN)	YAK03



## Calibration weights

External calibration weight 1 kg (class F2)	YCW614-AC-00
External calibration weight 1 kg (class F2) with DAKKS certificate	YCW614-AC-02
External calibration weight 2 kg (class F2)	YCW624-AC-00
External calibration weight 2 kg (class F2) with DAKKS certificate	YCW624-AC-02
External calibration weight 5 kg (class F2)	YCW654-AC-00
External calibration weight 5 kg (class F2) with DAKKS certificate	YCW654-AC-02



# Technical Data

## Metrological data

Capacity	7500 g
Readability	0.1 g
Tare range (subtractive)	-7500 g
Allowable operating temperature	5 ... 40 °C (41 ... 104 °F)
External calibration weight	1, 2, 5 kg (class F2 or better)

## Dimensions | Weight

Weighing pan (∅)	233 mm
Housing (WxDxH)	233 × 321 × 341 mm
Net weight	approx. 2.4 kg

## Power supply

Power supply	via USB 2.0 or higher or power plug YPS06-USB
Input voltage   power consumption	5 VDC   2 W
Ex-link converter (Ex zone 1 scale only)	Energy limiting unit included

## Approval Ex zone 1 | Class I, Div. 1

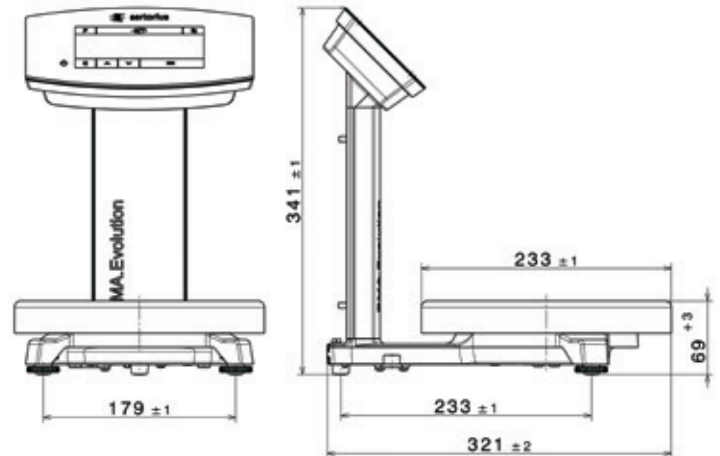
IECEX	Ex ib IIB T4 Gb
ATEX	II 2G Ex ib IIB T4 Gb
FM (USA)	IS CL I, DIV 1, GP C,D T4; CL I, Zone 1, AEx ib IIB T4
FM (CAN)	Ex ia CL I, DIV 1, GP C,D T4; Zone 1, Ex ib IIB T4

## Approval Ex zone 2

IECEX	Ex ic nA IIB T4 Gc
ATEX	II 3G Ex ic nA IIB T4 Gc

## IP protection

Dust and water protection rating in accordance to EN 60529   IEC 60529:	IP40
---	------



## Communication

Data output	USB   Type B
Protocol	Sartorius SBI   XBPI
Format	7-bit ASCII, 1 Start-bit, 1 or 2 Stop-Bits
Parity	Even, odd, no parity
Transmission rates	1200 to 57,600 Bit/s
Handshake mode	Software, Hardware or None

Internal application	Integrated mixing module for one job Recalculation (correction of over-pours) Calculation by factor (0.25 – 5.0) Stand-alone recipe processing (absolute, additive) Dual range 0.05 g (up to 999.95 g) Hardware test and communication symbol
----------------------	--

User interface	High contrast display 14 segment Bargraph as dosing assistance or capacity indicator Text menu in 12 languages
----------------	--

# Sales and Service Contacts

For further contacts, visit [www.sartorius.com](http://www.sartorius.com)

## Europe

### Germany

Sartorius Lab Instruments  
GmbH & Co. KG  
Weender Landstrasse 94-108  
37075 Goettingen

Phone +49.551.308.0  
Fax +49.551.308.3289

### France & Suisse Romande

Sartorius France  
2, rue Antoine Laurent de Lavoisier  
ZA de la Gaudrée  
91410 Dourdan

Phone +33.1.70.62.50.00  
Fax +33.1.64.59.76.39

### Austria

Sartorius Austria GmbH  
Modecenterstrasse 22  
1030 Vienna

Phone +43.1.7965760.0  
Fax +43.1.7965760.24

### Belgium

Sartorius Belgium N.V.  
Rue Colonel Bourg 105  
1030 Bruxelles

Phone +32.2.756.06.90  
Fax +32.2.481.84.11

### Finland & Baltics

Sartorius Biohit Liquid Handling Oy  
Laippatie 1  
00880 Helsinki

Phone +358.9.755.951  
Fax +358.9.755.95.200

### Hungary

Sartorius Hungária Kft.  
Kagyló u. 5.  
2092 Budakeszi

Phone +3623.457.227  
Fax +3623.457.147

### Ireland

Sartorius Ireland Ltd.  
Unit 41, The Business Centre  
Stadium Business Park  
Ballycoolin Road  
Dublin 11

Phone +353.1.8089050  
Fax +353.1.8089388

### Italy

Sartorius Italy S.r.l.  
Viale A. Casati, 4  
20835 Muggiò (MB)

Phone +39.039.4659.1  
Fax +39.039.4659.88

### Netherlands

Sartorius Netherlands B.V.

Phone +31.30.60.53.001  
Fax +31.30.60.52.917

[info.netherlands@sartorius.com](mailto:info.netherlands@sartorius.com)

### Poland

Sartorius Poland sp.z o.o.  
ul. Wrzesinska 70  
62-025 Kostrzyn

Phone +48.61.6473830  
Fax +48.61.6473839

### Russian Federation

LLC "Sartorius ICR" and LLC "Biohit"  
Uralskaya str. 4, Lit. B  
199155, Saint-Petersburg

Phone +7.812.327.5.327  
Fax +7.812.327.5.323

### Spain & Portugal

Sartorius Spain, S.A.  
Avda. de la Industria, 32  
Edificio PAYMA  
28108 Alcobendas (Madrid)

Phone Spain +34.902.123.367  
Phone Portugal +351.800.855.800  
Fax Spain +34.91.358.96.23  
Fax Portugal +351.800.855.799

### Switzerland

Sartorius Mechatronics Switzerland AG  
Ringstrasse 24a  
8317 Tagelswangen (ZH)

Phone +41.44.746.50.00  
Fax +41.44.746.50.50

### U.K.

Sartorius UK Ltd.  
Longmead Business Centre  
Blenheim Road, Epsom  
Surrey KT19 9QQ

Phone +44.1372.737159  
Fax +44.1372.726171

### Ukraine

LLC "Biohit"  
Post Box 440 "B"  
01001 Kiev, Ukraine

Phone +380.44.411.4918  
Fax +380.50.623.3162

## Americas

### USA

Sartorius Corporation  
5 Orville Drive, Suite 200  
Bohemia, NY 11716

Phone +1.631.254.4249  
Toll-free +1.800.635.2906  
Fax +1.631.254.4253

### Argentina

Sartorius Argentina S.A.  
Int. A. Avalos 4251  
B1605ECS Munro  
Buenos Aires

Phone +54.11.4721.0505  
Fax +54.11.4762.2333

### Brazil

Sartorius do Brasil Ltda  
Avenida Senador Vergueiro 2962  
São Bernardo do Campo  
CEP 09600-000 - SP- Brasil

Phone +55.11.4362.8900  
Fax +55.11.4362.8901

### Canada

Sartorius Canada Inc.  
2179 Dunwin Drive #4  
Mississauga, ON L5L 1X2

Phone +1.905.569.7977  
Toll-Free +1.800.668.4234  
Fax +1.905.569.7021

### Mexico

Sartorius de México S.A. de C.V.  
Circuito Circunvalación Poniente  
No. 149  
Ciudad Satélite  
53100, Estado de México  
México

Phone +52.5555.62.1102  
Fax +52.5555.62.2942

## Asia | Pacific

### Australia

Sartorius Australia Pty. Ltd.  
Unit 5, 7-11 Rodeo Drive  
Dandenong South Vic 3175

Phone +61.3.8762.1800  
Fax +61.3.8762.1828

### China

Sartorius Scientific  
Instruments (Beijing) Co., Ltd.  
33 Yu An Road, Airport Industrial Park  
Zone B,  
Shunyi District, Beijing 101300,  
P.R.China

Phone +86.10.8042.6300  
Fax +86.10.8042.6486

### Hong Kong

Sartorius Hong Kong Ltd.  
Unit 1012, Lu Plaza  
2 Wing Yip Street  
Kwun Tong  
Kowloon, Hong Kong

Phone +852.2774.2678  
Fax +852.2766.3526

### India

Sartorius Weighing India Pvt. Ltd.  
#69/2-69/3, NH 48, Jakkasandra,  
Nelamangala Tq  
562 123 Bangalore, India

Phone +91.80.4350.5250  
Fax +91.80.4350.5253

### Japan

Sartorius Japan K.K.  
4th Fl., Daiwa Shinagawa North Bldg.  
8-11, Kita-Shinagawa 1-chome  
Shinagawa-ku, Tokyo, 140-0001 Japan

Phone +81.3.3740.5408  
Fax +81.3.3740.5406

### Malaysia

Sartorius Malaysia Sdn. Bhd  
Lot L3-E-3B, Enterprise 4  
Technology Park Malaysia  
Bukit Jalil  
57000 Kuala Lumpur, Malaysia

Phone +60.3.8996.0622  
Fax +60.3.8996.0755

### Singapore

Sartorius Singapore Pte. Ltd  
1 Science Park Road,  
The Capricorn, #05-08A,  
Singapore Science Park II  
Singapore 117528

Phone +65.6872.3966  
Fax +65.6778.2494

### South Korea

Sartorius Korea Ltd.  
8th Floor, Solid Space B/D,  
PanGyoYeok-Ro 220, Bundang-Gu  
SeongNam-Si, GyeongGi-Do, 463-400

Phone +82.31.622.5700  
Fax +82.31.622.5799

### Thailand

Sartorius (Thailand) Co. Ltd.  
129 Rama 9 Road,  
Huaykwang  
Bangkok 10310

Phone +66.2643.8361-6  
Fax +66.2643.8367



◀ [www.sartorius.com/paintmixing](http://www.sartorius.com/paintmixing)